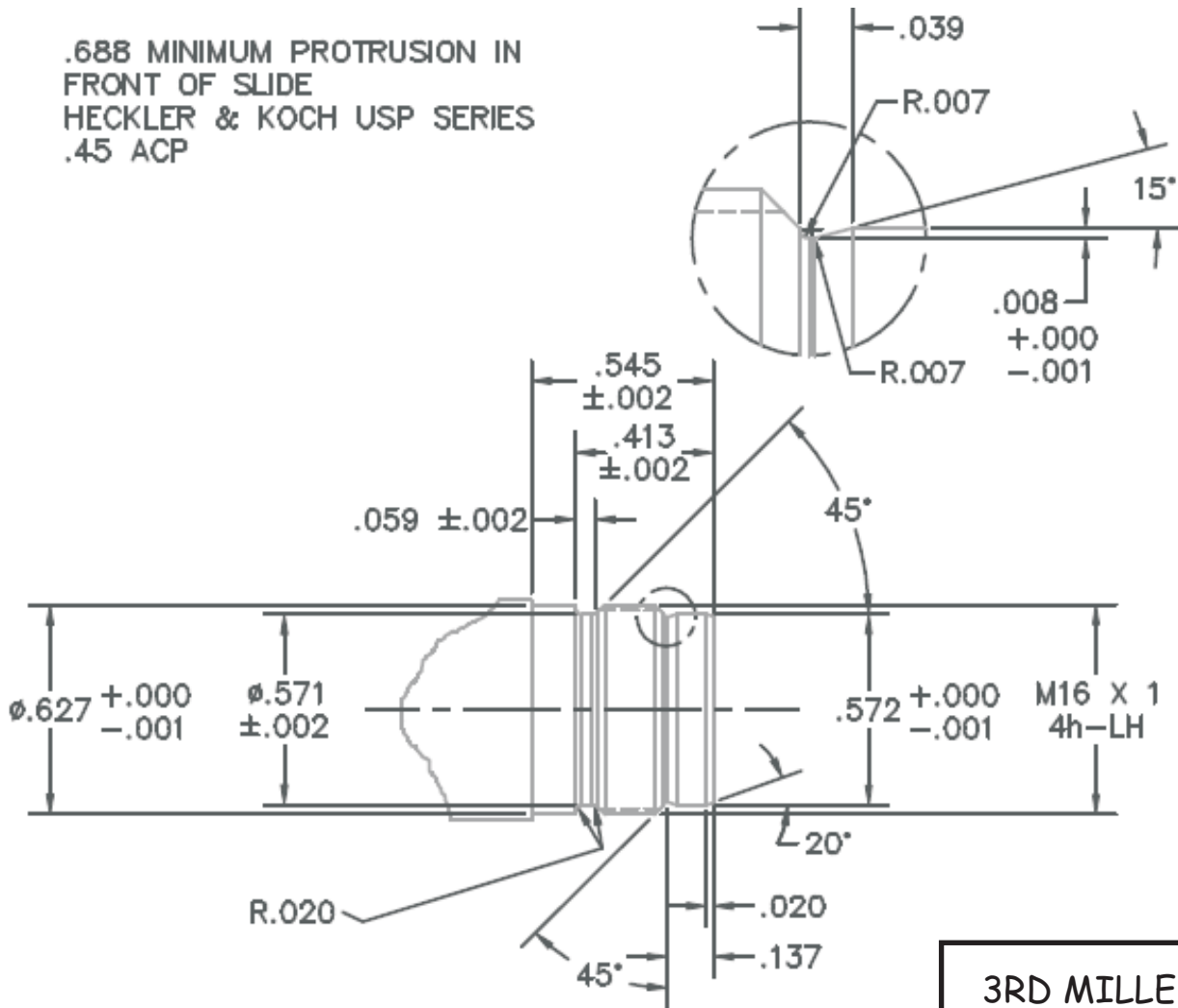


.688 MINIMUM PROTRUSION IN
FRONT OF SLIDE
HECKLER & KOCH USP SERIES
.45 ACP



3RD MILLENNIUM ENGINEERING

CUSTOM GUNSMITHING



3RD MILLENNIUM ENGINEERING, LLC
Worrying Sarah Brady since 1994

13425 W 56TH TER
SHAWNEE, KS 66201
(913) 484-4436 www.3me.com

UNLESS OTHERWISE SPECIFIED
DIMENSIONS ARE IN INCHES
TOLERANCES
ANGLES ±0 30'0"
.XX DECIMALS ±0.01
.XXX DECIMALS ±0.005
PART SHALL BE FREE OF ALL BURRS

BROKEN EDGES ±0.005 MAX R
FILLETS ±0.005 MAX R
SURFACE ROUGHNESS 125
CONCENTRICITY ±0.003

BARREL THREAD
SPECIFICATION
M16 X 1 LEFT HAND

COPYRIGHT © 2010 3RD MILLENNIUM
ALL RIGHTS RESERVED