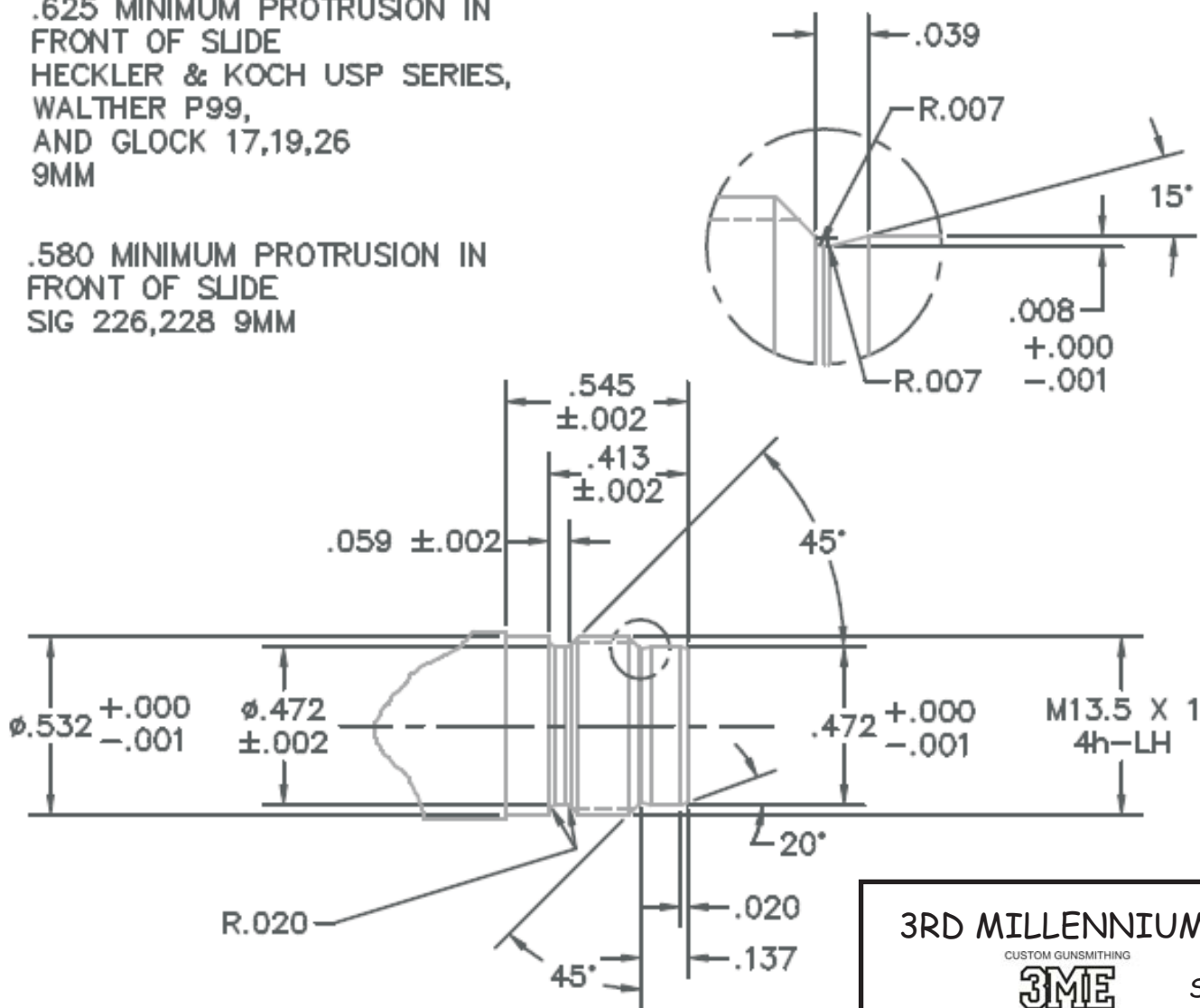


.625 MINIMUM PROTRUSION IN
FRONT OF SLIDE
HECKLER & KOCH USP SERIES,
WALTHER P99,
AND GLOCK 17,19,26
9MM

.580 MINIMUM PROTRUSION IN
FRONT OF SLIDE
SIG 226,228 9MM



3RD MILLENNIUM ENGINEERING

CUSTOM GUNSMITHING

3ME

3RD MILLENNIUM ENGINEERING, LLC

Worrying Sarah Brady since 1994

13425 W 56TH TER
SHAWNEE, KS 66201

(913) 484-4436 www.3me.com

UNLESS OTHERWISE SPECIFIED
DIMENSIONS ARE IN INCHES

TOLERANCES
ANGLES $\pm 0.30^\circ$
.XX DECIMALS ± 0.01
.XXX DECIMALS ± 0.005
PART SHALL BE FREE OF ALL BURRS

BROKEN EDGES ± 0.005 MAX R
FILLETS ± 0.005 MAX R
SURFACE ROUGHNESS 125
CONCENTRICITY ± 0.003

BARREL THREAD

SPECIFICATION

M13.5 X 1 LEFT HAND

COPYRIGHT © 2010 3RD MILLENNIUM ENGINEERING, LLC
ALL RIGHTS RESERVED